

ILLUMINATED WIND DIRECTION INDICATOR

	SOLAR ENGINE	110-230 VAC	24 VDC
---	---------------------	--------------------	---------------

		Compliance: ICAO Annex 14 Vol. I (8th. Edition, July 2018) EASA CS-ADR-DSN
---	---	---



FEATURES

- Simple to install
- Weather resistant
- Illuminated

APPLICATION

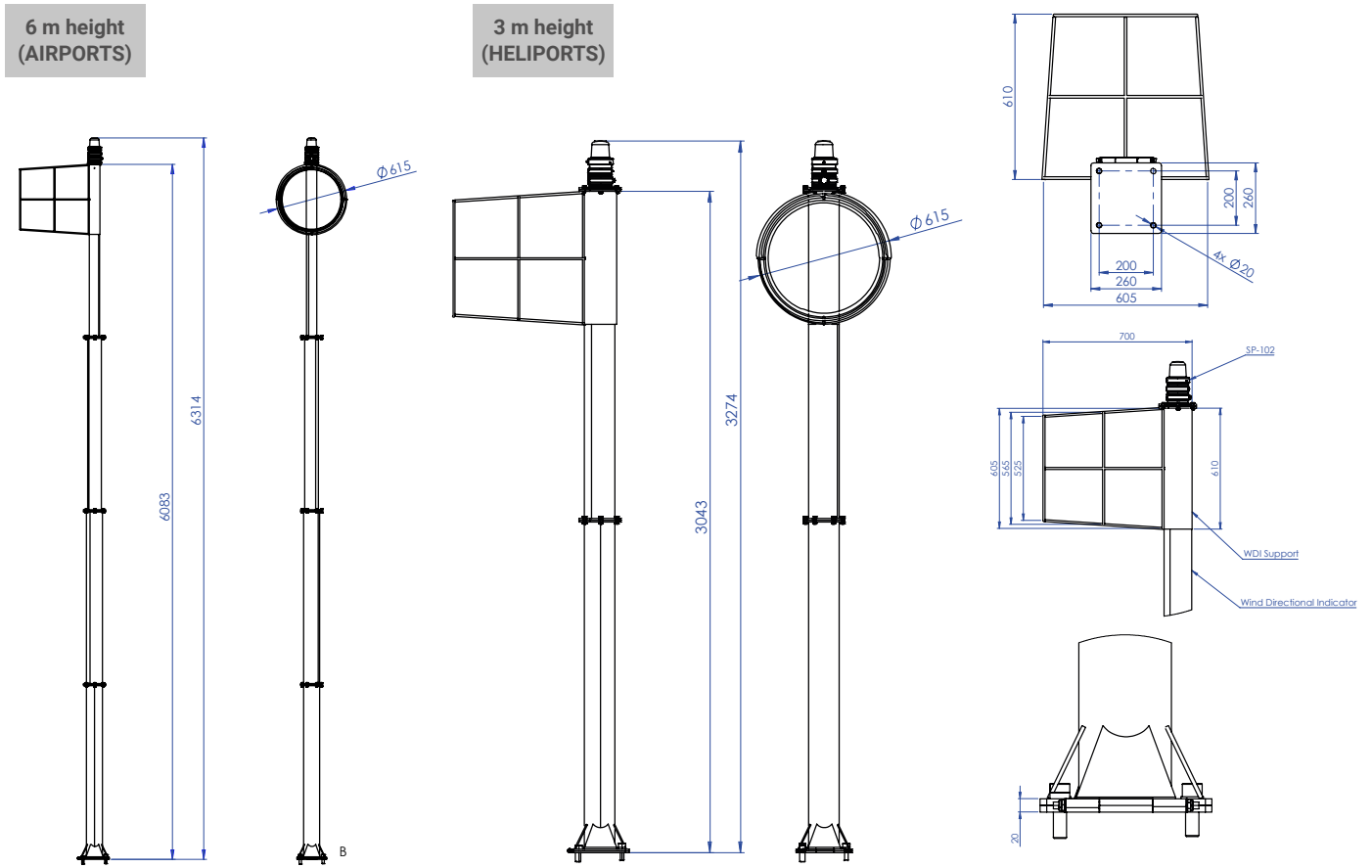
S4GA Wind Direction Indicator is compliant with ICAO standards; designed for permanent usage at airports and helipads. It provides precise wind direction data to ensure smooth and safe operations in all weather conditions.

TECHNICAL SPECIFICATIONS

Physical		Power Supply	
Mast	• Height: 3 m / 6 m	• Solar engine	
	• Reinforced mast: yes	• 110-230 VAC	
Wind sock	• Dimensions: 100 x 450 cm	• 24 VDC	
	• Color: red/white	Environmental Conditions	
	• Swivel frame: yes	• Minimum temperature: -60°C	
	• Protection: galvanized steel	• Humidity: 100%	
	• Mounting: anchorage block	• Wind speed: 160 kph	
Illumination	• Braces dimensions: 3x120 cm	Certification	
	• Internal lighting: yes	• CE-EN60947-1	
	• Obstruction light: type A installed on top of the mast	• CEI60364, NF C15-100	
		• 2014/35/UE	
		• ISO 9001:2008	



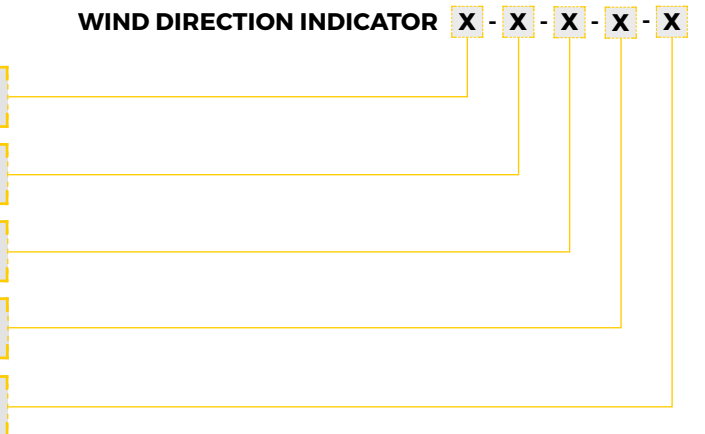
TECHNICAL DRAWING



ORDERING CODES

WIND DIRECTION INDICATOR X - X - X - X - X

WDI type	0 - Airfield Wind Direction Indicator (6 m) 1 - Heliport Wind Direction Indicator (3 m)
Type of mounting	0 - Stationary 1 - Mobile
Type of lighting	0 - Internally illuminated 1 - Without illumination
Windsock dimensions	0 - 360 x 90 cm (airport) 1 - 240 x 60 cm (heliport)
Windsock color	0 - white/red 1 - orange



SHIPPING DATA

Item	Dimensions of Package (L×W×H)	Gross Weight
WDI with sock, basket and lighting element	-	75 kg