

TAXIWAY RETROREFLECTIVE MARKER



		<p>Compliance: ICAO Annex 14, Volume I, 7th Edition FAA L-853, AC 150/5345-39</p>
---	---	--

FEATURES

- Easy installation & mounting
- Frangible, jet blast resistant
- Maintenance-free
- No electricity required

APPLICATION

S4GA retro-reflective taxiway markers are used for marking taxiway and apron edges at airports.

TECHNICAL SPECIFICATIONS

Photometrics

- Type: retro-reflective sleeve
- Color: blue (other colors available on request)
- Highly visible in all weather conditions, day or night
- Reducing the "sea of blue" effect experienced by many pilots
- No electricity required: reflects aircraft landing and wing tip lights

Installation & Maintenance

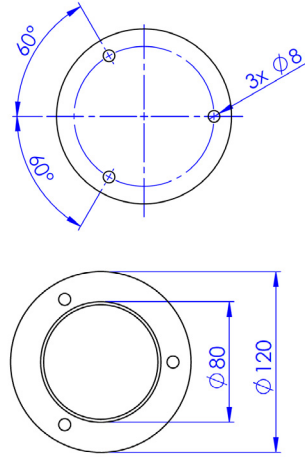
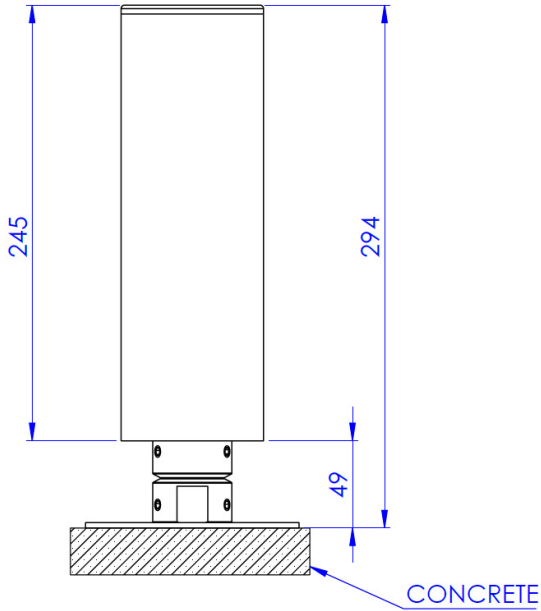
- Easy installation by self-clamping fixing concept between post and in-ground base
- It can be fixed directly into the ground or pavement
- Easy replacement by self-clamping fixing concept
- The ground mounting socket improves stability and makes replacing the marker easier
- Retroreflective film is highly reflective, weatherproof, self-adhesive with excellent corrosion and solvent resistance

Physical Characteristics

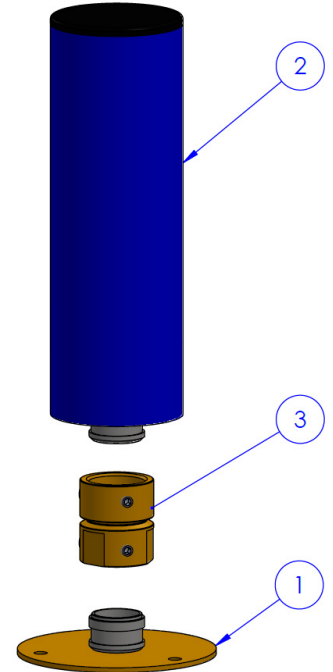
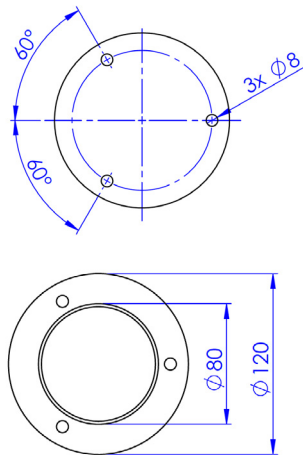
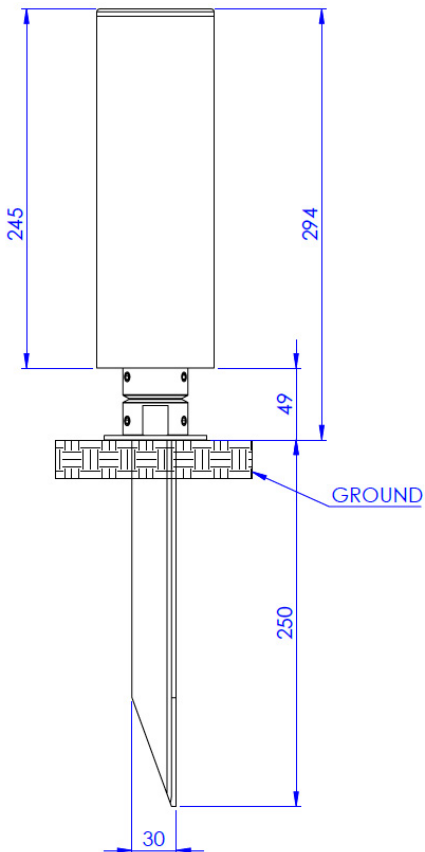
- Body material: Stainless Steel
- Film material: High Intensity Grade
- Cylindrical shape for full omnidirectional light reflection (360°)
- Corrosion-resistant, UV-resistant HDPE body
- High intensity, blue retro-reflective sleeve
- Frangible (per ICAO, EASA, FAA)
- Jet blast resistant (max. 480 km/h)
- Height on mounting for concrete / asphalt: 285,6 mm
Height on mounting for grass / ground: 285,6 mm
Reflective sleeve height: 261 mm
- Diameter: 76,8 mm
- Weight (without mounting set): 1,05 kg

Compliance

- ICAO, Annex 14th, Volume I, 7th Edition dated 2016, clause 5.5.5
- FAA L-853, AC 150/5345-39

TECHNICAL DRAWING
MOUNTING FOR CONCRETE / ASPHALT


1. Mounting for concrete / asphalt
2. High intensity retro-reflective sleeve
3. Frangible coupling


MOUNTING FOR GRASS / GROUND


1. Mounting for grass / ground
2. High intensity retro-reflective sleeve
3. Frangible coupling

