

LED PAPI PRECISION APPROACH PATH INDICATOR L-880 (L), L-881 (L)



POWERED BY



Check relevant product brochures for more information

LED TYPE **110-230VAC**

					<p>Compliance: ICAO Annex 14 Vol. I (8th. Edition, July 2018) EASA CS-ADR-DSN FAA 150/5345-28H TP312 (5th Edition, 2015) CASA Part 139 (Aerodromes) Manual of Standards 2019</p>
---	---	---	---	--	---

- FEATURES**
- NVG Compatible
 - Replaceable Optic Elements
 - Automatic Tilt Switch
 - Radio Control Monitoring
 - Visibility Range: more than 10 km

APPLICATION

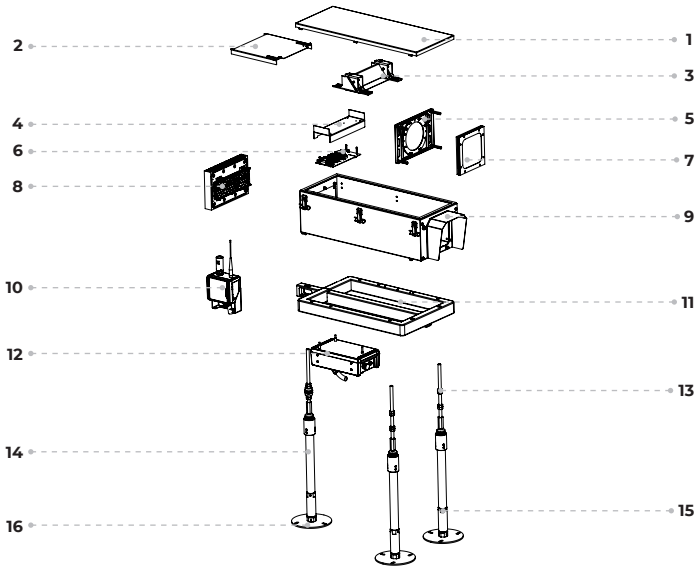
Precision Approach Path Indicator (PAPI) or
Abbreviated Precision Approach Path Indicator (A-PAPI).

TECHNICAL SPECIFICATIONS

Optics	
	<ul style="list-style-type: none"> • One-projector PAPI unit (optional: double projector) • LED Type • NVG capable (optional) • Vertical adjustment 0-10 • Transition: Better than 3 minutes of arc on beam axis • Maximum power consumption: 80W per unit • Adjustable intensity level in five steps • LED lifespan: 50.000 hrs • Azimuth range: +/- 8 (ICAO) or +/- 10 (FAA) • LED module replacement does not require re-alignment • PAPI projector is removable from the mounting frame
Power Supply	
	<ul style="list-style-type: none"> • 110 - 230 VAC
Power Control Unit	
	<ul style="list-style-type: none"> • Single Power Supply (Single Circuit) • Double Power Supply (Dual Circuit) (optional)
Manual Control (Via Board Control Box)	
	<ul style="list-style-type: none"> • System manual ON/OFF control • Switch to radio remote or local operation • Switch to visible or infrared operation • Five intensity levels: 1%, 3%, 10%, 30%, 100% (or customizable per request) • Photosensor activation and deactivation • Night level setting on two intensity steps (5% and 20% as per FAA requirements) • Tilt sensor activation and deactivation • Lens heater activation and deactivation
Wireless Control	
	<ul style="list-style-type: none"> • Wireless mesh type network • Operating frequency: 868 MHz (optional 2.4 GHz or 915 MHz) • Operating range: up to 1.5 km, relayed • Devices capable control by: <ul style="list-style-type: none"> • UR-101 Handheld Controller • UR-201 Control & Monitoring Unit <ul style="list-style-type: none"> • VHF activation (Air-band Radio) • ALCMS Computer Interface (requires UR-201) • Photoelectric intensity control
Environmental Conditions	
	<ul style="list-style-type: none"> • Temperature range: -35 to 55°C (-31 to 131 °F) • Optional: -55 to 55°C (-67 to 131 °F) • Ingress protection: IP-65 • Resistant to accumulation of rain and snow on lens surface • Internal temperature, external temperature and humidity sensors

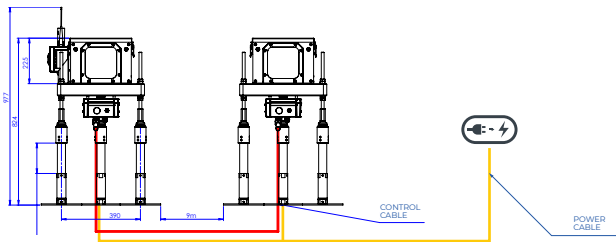
Safety & Reliability	
	<ul style="list-style-type: none"> • 4x types of critical fault detection • 16x types of fault detection • Tilt-fail detection • Individual PCU per PAPI unit (optionally equipped with double power supply)
Monitoring	
	<ul style="list-style-type: none"> • Via status LED • Advanced Fault Detection via a separate communication cable, ie Modbus • Advanced Fault Detection via radio communication
Casing & Components	
	<ul style="list-style-type: none"> • Cabinet and body material: stainless steel • Base frame: stainless steel, breakable coupling: aluminum • Set of 3 anchor bolts for PAPI: stainless steel • Lens heater (optional) • PCU included • Dimensions (LxW): 1055 x 980 mm • Height: 680 - 1000 mm (adjustable) • Weight: 47 kg
Compliance	
Photometric	ICAO, Annex 14th, Volume I, 8th Edition dated July 2018, Figure A2-23
	EASA CS ADR-DSN, Figure U-26
	FAA AC 150/5345-28H, Figure 3-1
	TP312, 5th Edition dated 2015, clause 5.2.16.12, Figure B-19
	CASA Part 139 (Aerodromes) Manual of Standards 2019
Chromaticity	ICAO, Annex 14th, Volume I, 8th Edition dated July 2018, clause 5.3.5.30, Figure A1-1b
	EASA CS ADR-DSN.M.645.c.2.i, Figure U-1B
	FAA AC 150/5345-28H, clauses 3.2.1 & 4.9.1
	TP312, 5th Edition dated 2015, clause 5.3.16.13
Multi-lamp PAPI projector	EASA CS ADR-DSN.M.645
Infrared	FAA «Infrared Specifications for Aviation Obstruction Light Compatibility with Night Vision Goggles (NVGs)» Engineering Brief No. 98, dated December 2017, clause 8.3
Accredited Laboratory Testing	
Photometric & Chromaticity	TÜV Rheinland

PARTS DESCRIPTION



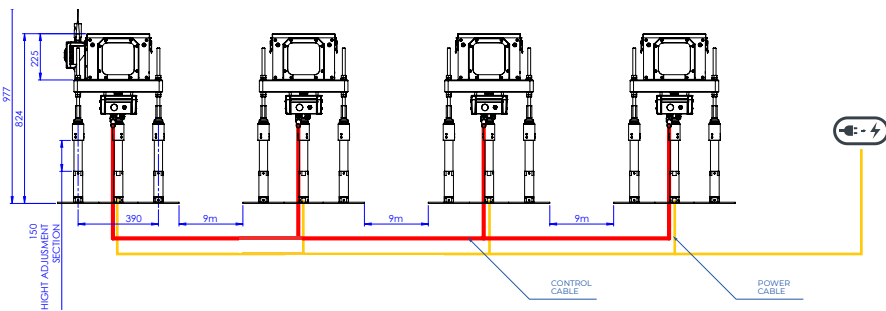
1.	Top cover
2.	Divider metal sheet
3.	Metal holder for divider glass
4.	Circuit board cover
5.	Glass lens
6.	Circuit board
7.	Front glass
8.	LED panel with radiator
9.	Projector body
10.	Control panel
11.	Base frame
12.	Power Supply Unit
13.	Stainless steel mandrel
14.	Aluminium leg
15.	Frangible coupling
16.	Round Baseplate

A-PAPI SYSTEM CONFIGURATION



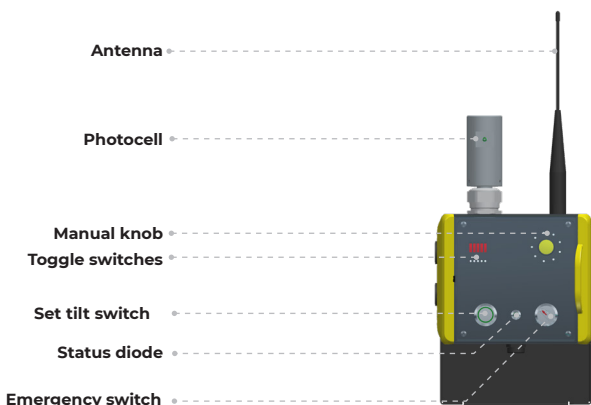
Items included in A-PAPI System	
•	2x LED PAPI projectors
•	1x Manual control box
•	2x Power Control Units (PCU)
•	1x Signal cable
•	2x Mounting frames
•	6x Adjustable mounting legs
•	6x Frangible connectors
•	6x Mounting bases

PAPI SYSTEM CONFIGURATION



Items included in PAPI System	
•	4x LED PAPI projectors
•	1x Manual control box
•	4x Power Control Units (PCU)
•	3x Signal Cables
•	4x Mounting frames
•	12x Adjustable mounting legs
•	12x frangible connectors
•	12x Mounting bases

MANUAL CONTROL BOX DESCRIPTION



Night Vision Mode

Light is visible only through NVG (Night Vision Goggles)



Photo Sensor Activation

PAPI system activates automatically after sunset and deactivates after sunrise with use of photocell



Tilt Sensor

TILT mode alerts the user about the tilt angle of the PAPI unit changes and deactivates the system in case of excessive tilt change



Night Level Setting

Night mode activates PAPI system automatically in 5% or 20% intensity



Lens Heater

Lens heater prevents PAPI projector from condensation and accumulation of ice and snow

ORDERING CODES

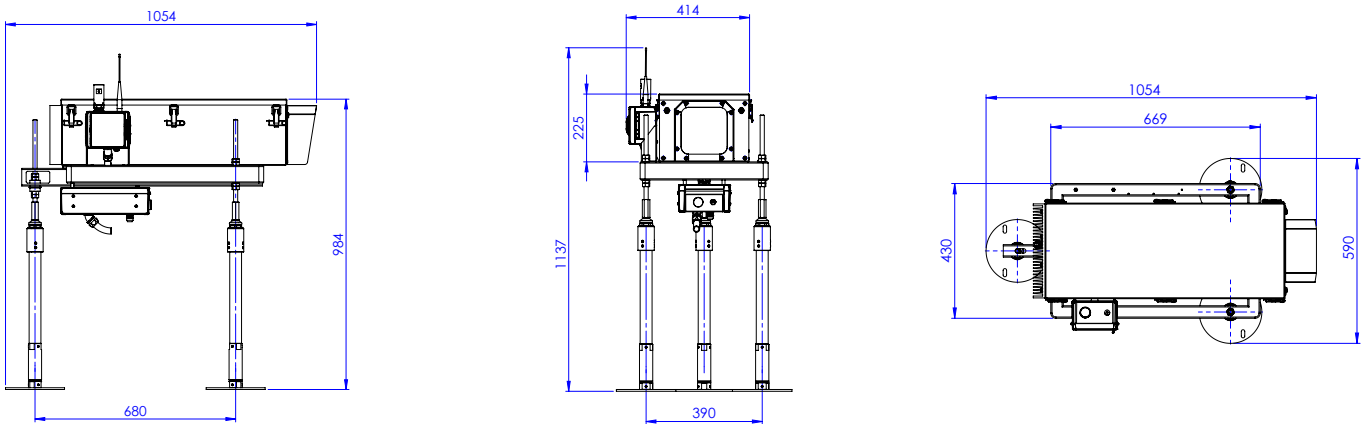
S4GA PAPI 110-230V X - X - X - X - XXX

Projector	1 - One projector (default) 2 - Double projector
Photometrical Compliance	2 - L-881(L) / Abbreviated PAPI (2x Lighthouse Assemblies) 4 - L-880(L) / PAPI (4x Lighthouse Assemblies)
Power Supply	1 - Single Power Supply (default) 2 - Dual Power Supply
Color	1 - ICAO Yellow (default) 2 - FAA Orange 3 - Desert Sand 4 - NATO Green

ADDITIONAL FUNCTIONS

Heated Lens	0 - No (default) 1 - Yes
Infrared	0 - No (default) 1 - Yes
Tilt Switch	0 - No (default) 1 - Yes
Fault Detection	0 - No (default) 1 - Yes

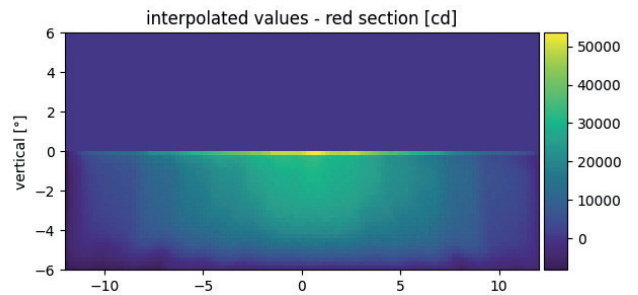
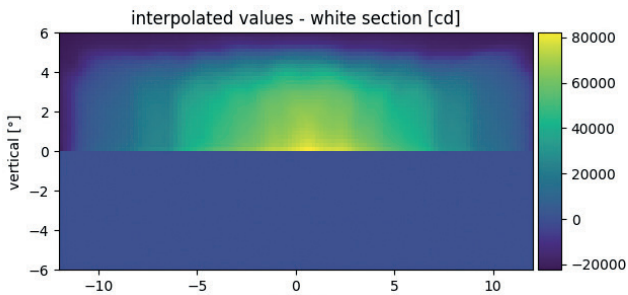
TECHNICAL DRAWING



PHOTOMETRIC PERFORMANCE

Measured values - white section

Measured values - red section



SHIPPING DATA

Item	Dimensions of Package (LxWxH)	Gross Weight
LED PAPI (1x LHA)	1070 mm x 980 mm x 500 mm	58 kg