

**CONSTRUCTION NOTES:**

GENERAL:

COMPLY WITH APPLICABLE BUILDING CODES, LOCAL BY-LAWS, SAFETY CODES, AND ALL REGULATIONS SET BY AUTHORITIES HAVING JURISDICTION. IN CASE OF CONFLICT OR DISCREPANCY, THE MORE STRINGENT REQUIREMENTS SHALL APPLY.  
 DETAILS OF CONSTRUCTION NOT FULLY SHOWN SHALL BE OF SAME CHARACTER AS THOSE NOTED FOR SIMILAR CONDITIONS.  
 THE CONTRACTOR SHALL BE AWARE OF, AND TAKE ALL NECESSARY MEASURES TO PROTECT EXISTING BURIED SERVICES.

GEOTECHNICAL INFORMATION:

THE DESIGN OF THE ANS T3000 TOWER FOUNDATION HAS BEEN BASED ON ASSUMED SUITABLE IN-SITU SOIL CONDITIONS, HAVING A MINIMUM COMPRESSIVE STRENGTH OF 1200 PSF. ACTUAL SOIL CONDITIONS SHALL BE FIELD VERIFIED AT TIME OF CONSTRUCTION.

CONCRETE

WORK SHALL COMPLY IN ALL RESPECTS TO CSA STANDARD A23.1, A23.2, OR ACI 318, UNLESS OTHERWISE INDICATED.

USE 3500 psi (25 MPa), EXPOSURE CLASS C-1 CONCRETE.

AIR CONTENT: 5-8%  
 CONCRETE SLUMP: 3" ± 1" (75mm ± 25mm)  
 MAX. AGGREGATE: 3/4" (19mm)  
 WATER CEMENT RATIO: 0.40 max.

REINFORCEMENT BARS SHALL BE NEW BILLET STEEL TO CSA G30.18, GRADE 400 OR ASTM A615/A615M.

CONCRETE FORMWORK SHALL BE DONE IN ACCORDANCE WITH CSA A23.1/A23.3 OR ACI 347.

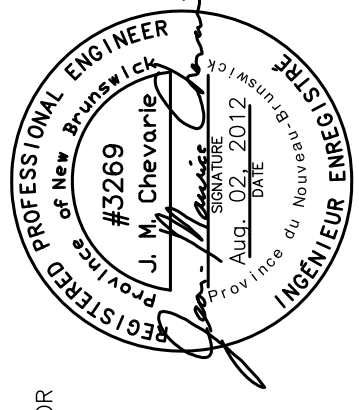
TUBULAR COLUMN FORM:

ROUND SPIRALLY WOUND LAMINATED FIBRE MATRIX. SONOTUBE OR APPROVED ALTERNATE.

ANCHOR RODS

ANCHOR RODS SHALL BE TO CSA G40.21, GRADE 300W OR ASTM F1554 GRADE 55. ANCHOR RODS SHALL BE GALVANIZED.

FIELD CONFIRM ORIENTATION OF ANCHOR ROD INSTALLATION AND BOLT SQUARE DIMENSION WITH REQUIREMENTS OF POLE INSTALLER.



rev: 1

DATE: (yy/mm/dd) 12/08/02  
 DWG No: S1

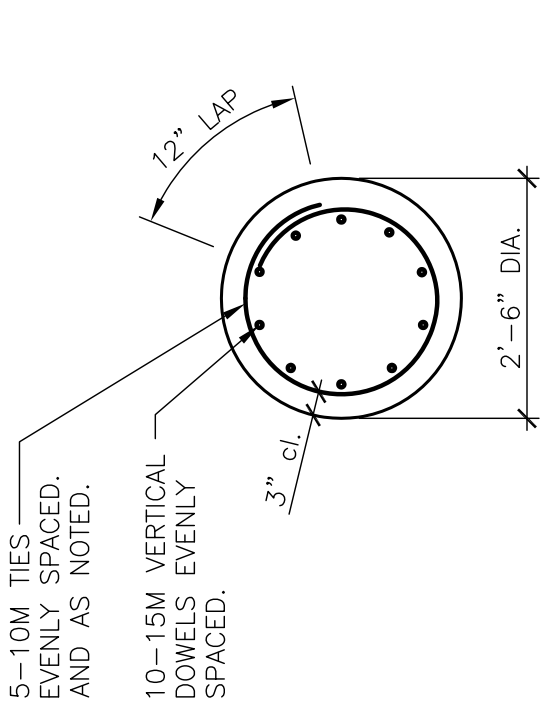
CLIENT: **Approach Navigation Systems Inc.**  
 667 Malenfant Blvd.  
 Dieppe, New Brunswick TEL: 506 854-2967  
 Canada E1A 5T8 FAX: 506 854-0030

DRAWING TITLE: **ELEVATION, SECTIONS, AND DETAILS**

PROJECT TITLE: **ANS T3000 TOWER CONCRETE FOUNDATION**  
 PROJECT No: 12097-1

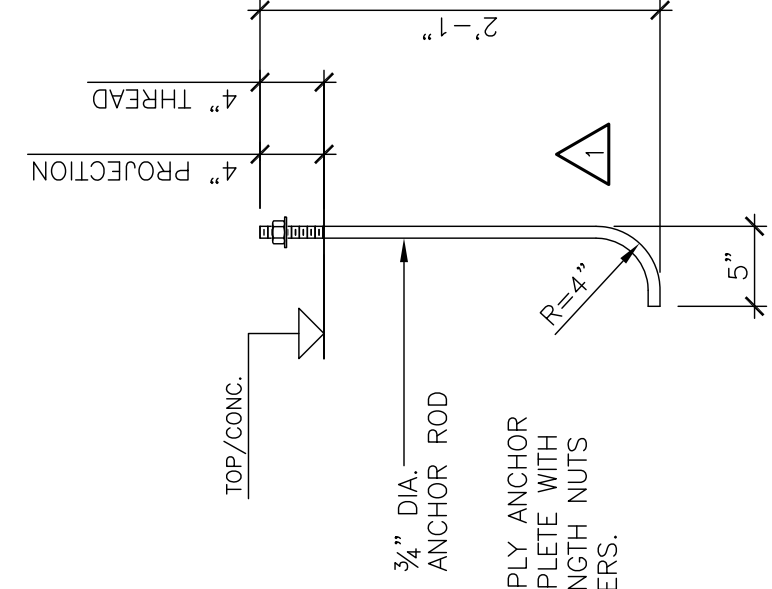
ALL DETAILS AND NOTES FOR STRUCTURAL REQUIREMENTS AS SHOWN ON THIS DRAWING ARE PRODUCED SPECIFICALLY FOR THIS PROJECT AND ARE THE SOLE PROPERTY OF VALRON ENGINEERS INC. THEY MAY NOT BE REPRODUCED, COPIED OR OTHERWISE USED WITHOUT EXPRESSED WRITTEN PERMISSION FROM THE AFOREMENTIONED. COPYRIGHT 2012, VALRON ENGINEERS INC.

Ingénieurs en structure  
**VALRON**  
 Structural Engineers  
 100 rue Cameron St., Suite 6000  
 Moncton, NB E1C 5Y6  
 Phone: 506 856 9601  
 Fax: 506 854 6820  
 Email: valron@valron.ca  
 http://www.valron.ca

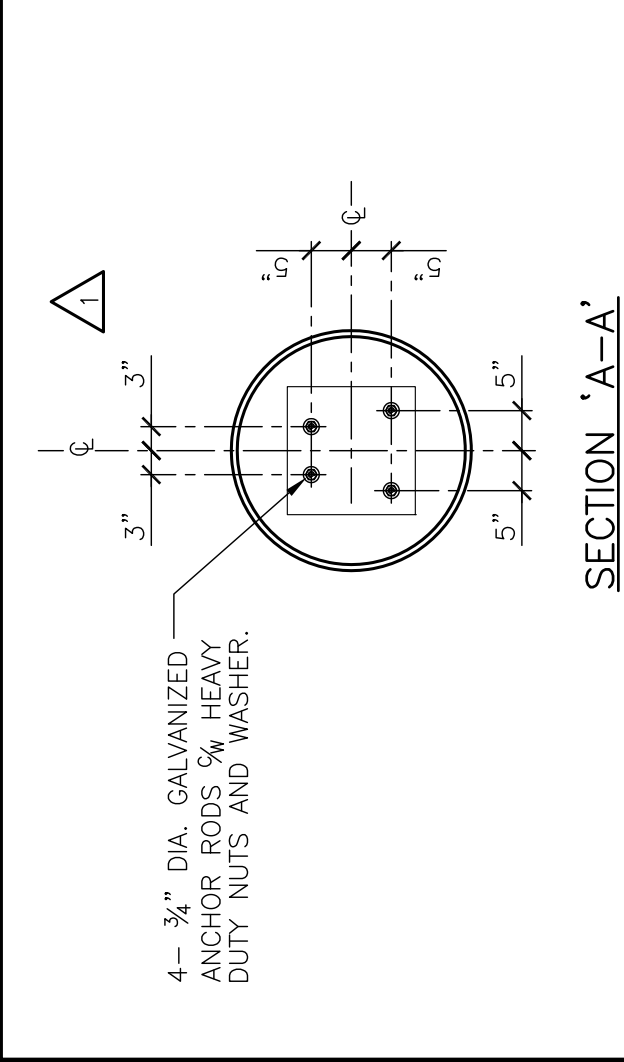


NOTE: STAGGER TIE SPLICE LOCATIONS 90° BETWEEN ADJACENT TIES.

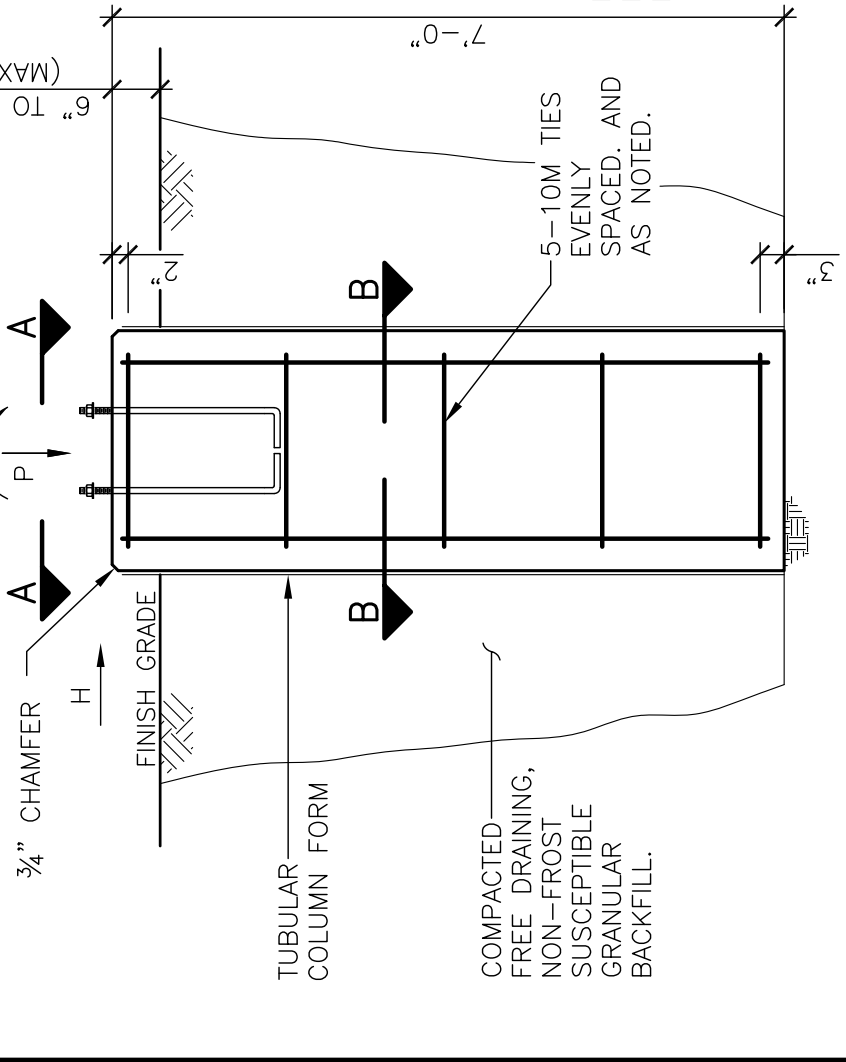
SECTION 'B-B'



ANCHOR ROD DETAIL  
 SCALE: 1"=1'-0"



P = 300 lbs (1.3 kN)  
 H = 1.7 kips (7.6 kN)  
 M = 25.0 kips-ft (33.9 kN-m)



**T3000 TOWER FOUNDATION DETAILS**  
 SCALE: 1/2" = 1'-0"