



SP-401 LED ELEVATED RUNWAY EDGE LIGHT

MEDIUM INTENSITY



		<p>Compliance: ICAO Annex 14 Vol. I (7th. Edition, July 2016)</p>
---	---	--

FEATURES

- Operates 365 days on solar energy
- Wireless mesh control
- 180 hrs of light autonomy
- 1.200 cd light output

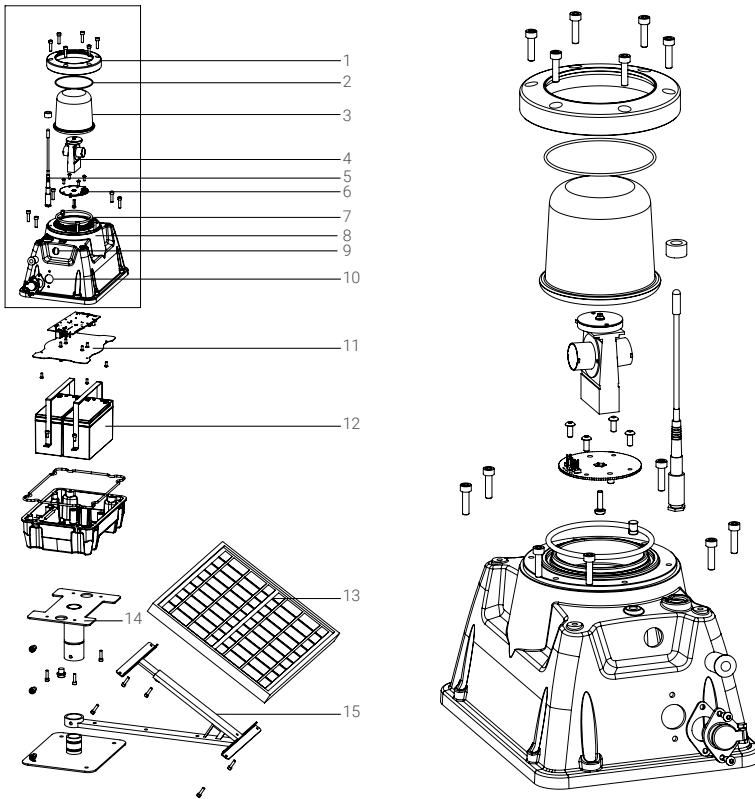
APPLICATION

Medium intensity, combined optics (bi- and omnidirectional); designed for permanent usage at Non-Precision Runways located in regions without access to electricity and high photovoltaic potential.

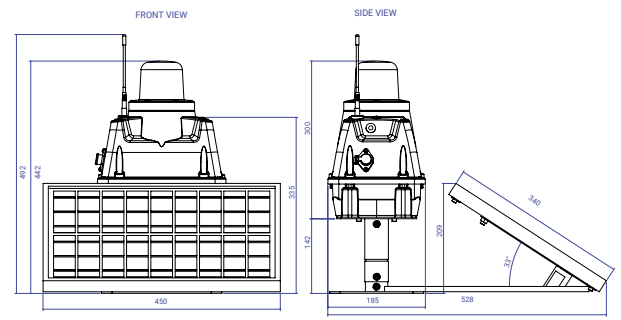
TECHNICAL SPECIFICATIONS

<p>Optics</p> <ul style="list-style-type: none"> • 1.200 cd light output • Combined type, omnidirectional and bidirectional • LED lifespan: 100.000 hrs • Maximum power consumption: 9W • NVG-compatible (optional) • Color: white / white, white / yellow, white / red, red / yellow • User-replaceable 	<p>Operating Modes</p> <ul style="list-style-type: none"> • Steady / Flashing / Dusk till dawn • Visible / Infrared (optional) / Visible + Infrared (optional)
<p>Battery</p> <ul style="list-style-type: none"> • 2 x built-in batteries • Autonomy: 180 hrs (minimum intensity) • Total capacity: 216W (2x9Ah/12V) • Deep-cycle VRLA, 12V/9Ah • Lifespan: 1.200 cycles • Designed for 4-5 years • Air transportable • User-replaceable • Standard type, available worldwide 	<p>Control & Monitoring</p> <ul style="list-style-type: none"> • Wireless mesh type network • Up to 1.5 km operating range • Activation options: <ul style="list-style-type: none"> • Via UR-201 Control & Monitoring Unit • Via ALCMS Computer Interface • Via UR-101 Handheld Controller • Emergency ON/OFF button • Self-diagnostics • Real-time monitoring via ALCMS (Airfield Lighting Control and Monitoring System)
<p>Solar Power Supply</p> <ul style="list-style-type: none"> • 20W solar panel, separately installed • Poly- or monocrystalline type • Standard optimal inclination (upon request) • Lifespan: 15 years • Built-in inverter 12-36V/2A 	<p>Environmental Conditions</p> <ul style="list-style-type: none"> • Temperature range: -20 to 50 °C (-4 to 122 °F) • Ingress protection: IP-67 • Wind Speed: 160 kph
<p>Certification</p> <ul style="list-style-type: none"> • ICAO, Annex 14th, Volume I, 7th Edition dated July 2016, clause 5.3.9.9 & Appendix 1, Figure A1-1b • CE Declaration of Conformity: EN 50561-1:2013-12 / EN 61000-4-4:2013-05 / EN 61000-4-5:2014-10 / EN 61000-4-6:2014-04 / EN 61000-4-2:2011 / EN 61000-4-3:2007 / EN 61000-4-1:2007 / EN 62368-1:2015-03 / EN 62321-1:2014-02 / EN 62311:2010 / EN 301 489-1 V2.1.1:2017-08 / EN 300 220-2 V3.1.1:2017-08 	<p>Casing And Components</p> <ul style="list-style-type: none"> • Casing made of UV-stabilized Lexan polycarbonate • Outer UV-resistant glass dome • Detachable antenna • Pressure stabilizing valve: yes • Battery level indicator: yes • Carrying handle (optional) • Casing lifespan: 15 years • Casing color: aviation yellow • Frangible mounting compliant with ICAO regulations • Dimensions (LxWxH): 528 mm x 450 mm x 442 mm • Weight: 12,4 kg

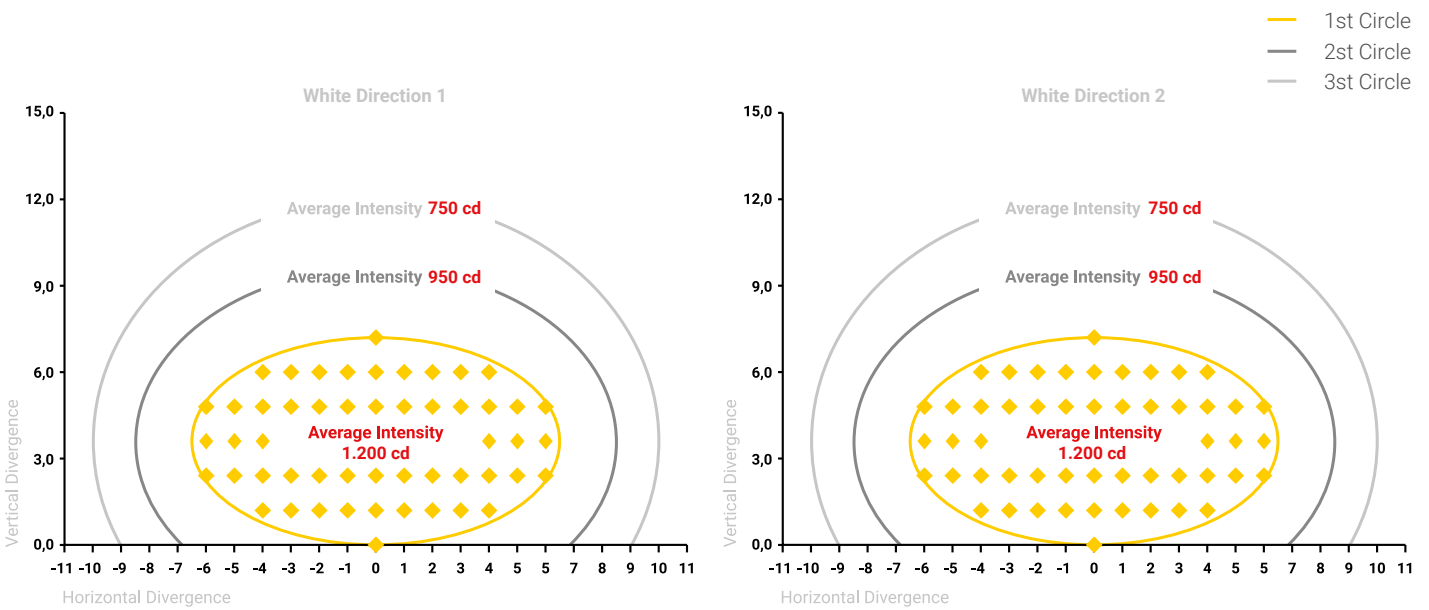
TECHNICAL DRAWING



1. Aluminum adapter for glass dome
2. Rubber protection
3. Glass dome
4. LED optics, combined type omni- and bidirectional
5. Radio antenna for wireless control & monitoring
6. Micro-computer with integrated radio transceiver
7. Rubber protection
8. UV-stabilized Lexan polycarbonate casing
9. Emergency ON/OFF button
10. Charging port for solar panel
11. Protective plate
12. 2 x batteries built-in, VRLA type 12V/9Ah
13. 20W Solar panel with standard optimal inclination
14. Frangible mounting
15. Solar holder



PHOTOMETRIC PERFORMANCE



SHIPPING DATA

Item	Dimensions of Package (LxWxH)	Gross Weight
SP-401 Lighting Unit with accessories	600 mm x 400 mm x 360 mm	13 kg