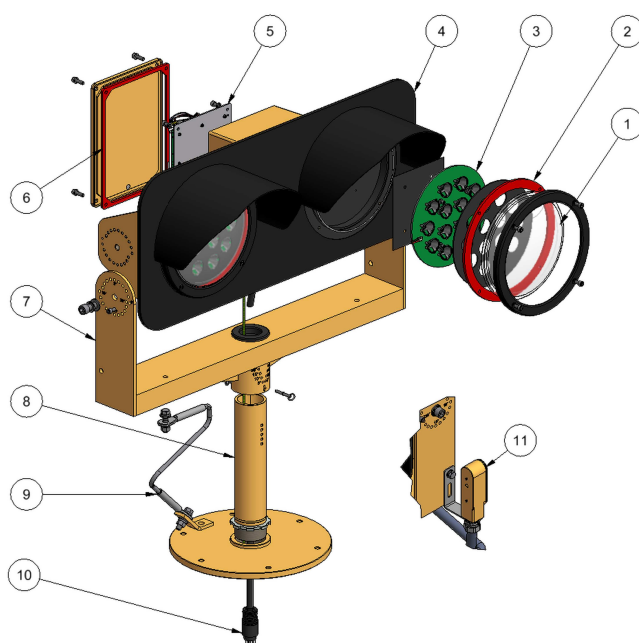


# LETG - RENEWAL SPARE PARTS



Nr.	DESCRIPTION	CODE	Nr.	DESCRIPTION	CODE
1	Clear glass lens	810.3079			
2	Glass gasket	325.1006			
3	LED module	150.4209			
5	Control card w/o monitoring for series circuit	155.0219			
5	Control card w/ monitoring for series circuit	155.0220			
5	Control card w/o monitoring for parallel circuit	155.0221			
5	Control card w/ monitoring for parallel circuit	155.0222			
6	Box gasket	325.1005			
8	Breakable coupling	001.2014			
10	Cable lead with plug L-823	323.2360			
10	Cable assembly with plug for monitoring	156.8005			
11	Photocell w/ support	155.0223			

Energy Technology srl  
 Operating office:  
 Via della Solidarietà 2/1  
 40056 Valsamoggia Loc. Crespellano – (BO) – Italy  
 Ph: +39 051 66 56 611 – Fax: +39 051 66 56 677  
**OCEM**, a division of Energy Technology srl

UC-PU-0326\_EN

