

LITE

LED INSET TAXIWAY EDGE LIGHT



COMPLIANCES

ICAO: Annex 14 - Volume I par. 5.3.18.8
EASA: CS ADR-DSM, Book 1, par.M.720 (c) (3)
FAA: L-852T(L) AC150/5345-46 and EB No.67
IEC: TS 61827
NATO: STANAG 3316
CAA: CAP 168
TCCA: TP312

APPLICATIONS

Taxiway edge for ICAO, FAA and military taxiways

BENEFITS

- 60000 hours LED rated life at full intensity, but over 100000 hours in field operating conditions
- In new installation, LED lights mean lower loads, lower size of CCRs and transformers, thus low life cycle costs
- The light output is variable like a traditional halogen lamp, as indicated by the FAA "Engineering Briefing No.67"
- Colour emitted directly by LEDs: absence of coloured filters ensures no energy losses and no colour shifts
- Fully compatible with existing AFL infrastructure*
- Designed with simplicity allowing longer maintenance intervals and fewer spare parts
- No use of sealant to fix the lens in the dome thanks to customized gasket, making its replacement quick and easy
- No optical adjustment after LED module or lens replacement
- Valve for watertightness test after overhaul
- Operating with any topology of CCRs designed in compliance with IEC or FAA requirements

* For monitored fixtures, isolation transformer max size: 200VA

PERFORMANCES

- The electronic is strong-built and highly resistant to shock and vibration
- Automatic adaptation to the frequency of the supply current
- A surge protection device is provided in the electronics as required by the FAA "Engineering Briefing No.67"
- Immediate detection of an internal fault
- 6.35 mm protrusion strongly reduces vibrations to aircrafts and to light itself, increasing its lifetime
- Omnidirectional, 8" or 12" dia.
- Drop-forged dome and cast aluminium lower cover make the fitting sturdy, but lightweight too for ease handling in the field
- Light output not affected by heavy rainfall thanks to the flat surface of the dome
- O-Ring placed outside the dome to avoid dirt deposits between light and base
- Protection degree: IP68
- Temperature range: -55°C to +55°C

INSTALLATION

- Suitable for 8" or 12" dia. bases
- Adaptor ring for 8" light installation on 12" dia. bases
- Specific tools available for easy and precise installation

PHOTOMETRIC PERFORMANCES

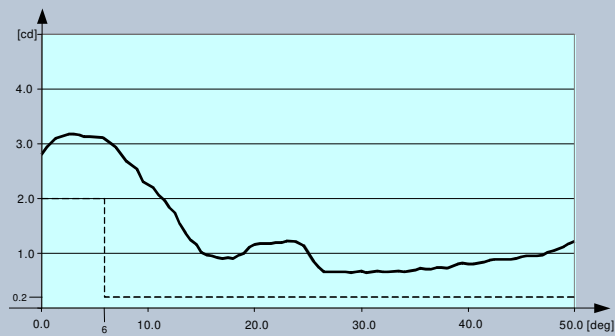


Fig. 1 ICAO par. 5.3.18.8 and FAA L-852T – Blue

TABLES

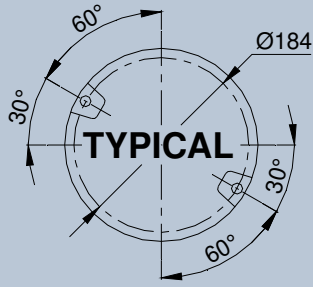
POWER CONSUMPTION*

Electrical System	1 Plug
Omnidirectional 8"-12" (w/o Arctic Kit)	8 VA
Omnidirectional 8" (with Arctic Kit)	28 VA
Omnidirectional 12" (with Arctic Kit)	48 VA

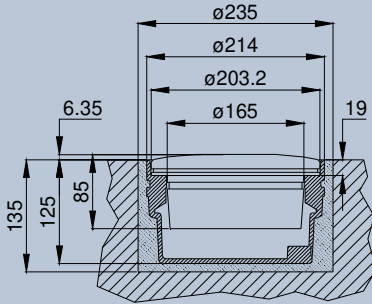
* Measured at 6.6 A and referred to the highest consumption configuration

POWER FACTOR

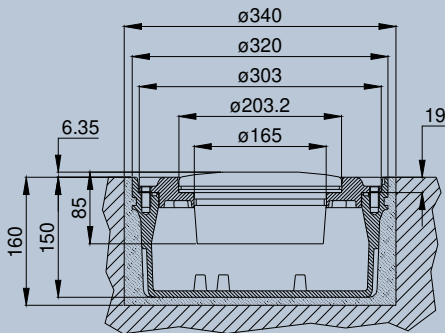
Input Step	2.8 A	6.6 A
Power Factor	0.96	0.98



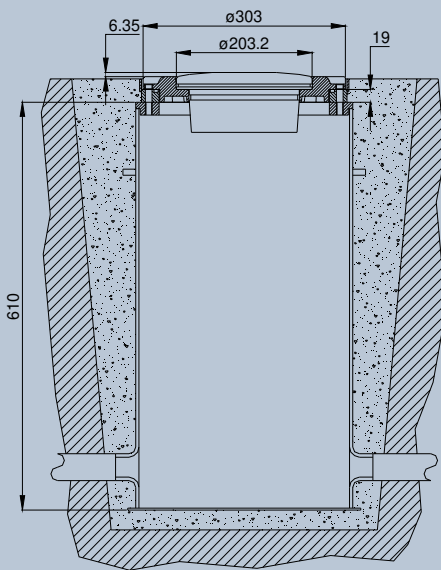
Light Fixture 8" dia.



Shallow Base 8" dia.



Shallow Base 12" dia.



L-868 Deep Base 12" dia.

LITE 08 - F - 0 - M - A

Basic P/N: _____

Bolt Circle Diameter: _____

08 = Suitable for 8" Shallow Base and
8" L-868B Deep Base
(supply cable L = 25cm)

17 = Suitable for 12" L-867B Deep Base
(supply cable L = 46cm)

18 = Suitable for 12" Shallow Base and
12" L-868B Deep Base
(supply cable L = 46cm)

Compliance: _____

I = ICAO - IEC

S = STANAG

F = FAA

Mounting Assembly: _____

0 = No Mounting Assembly

R = Adaptor Ring 8"-12" dia.

Monitoring: _____

0 = Without Monitoring

M = With Monitoring

Arctic Kit: _____

0 = Without Arctic Kit

A = With Arctic Kit

MAIN COMPONENTS OF THE LIGHT UNIT

- 1 O-Ring for aluminium lens holder
- 2 Aluminium lens holder
- 3 Lens
- 4 Lens gasket
- 5 Dome with lens and gaskets
- 6 O-Ring for dome
- 7 Arctic Kit thermostat
- 8 Arctic Kit heater
- 9 Lower cover with electronic, plug and valve
- 10 Valve for watertightness test
- 11 O-Ring for lower cover
- 12 Reflector with hardware
- 13 LED module with accessories
- 14 LED module support with hardware
- 15 Lower cover gasket
- 16 FAA L-823 plug

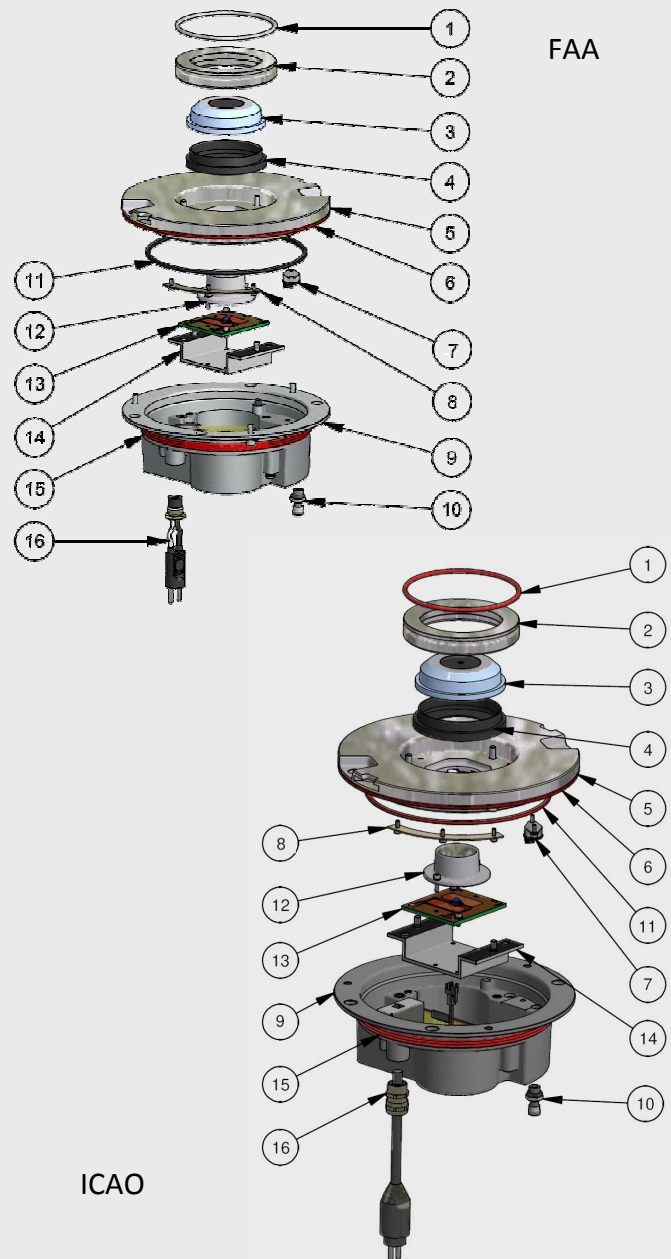
Refer to the relevant technical manual for the complete list of the available spare parts

ACCESSORIES

- 315.1228 Base L-867, Class IA, size B, 24" Deep
 315.1230 Base L-868 type, class IA, size B, 24" deep *
 315.1420 Flange ring with pavement dam for L-868 base, size B, with O-Ring and bolts
 152.5251 Shallow base, 8" dia., one cable lead, with hardware
 152.8110 Shallow base, 12" dia., one cable lead, with gasket and hardware
 152.6116 Adaptor Ring 8"-12" dia. complete with hardware
 GMMM0076 Adaptor Ring 8"-12" dia. complete with hardware for FAA versions
 712.1034 Setting material for shallow base, 10 lt
 712.1035 Quartz for shallow base, 25 kg
 332.4301 Positioning jig for 8"-12" dia. shallow base, without optical device
 332.4140 Lifting tool (2 pieces to work properly)
 332.4230 Lifting tool with double hook

* Sectional bases may be required depending upon the paving technique

For any information about isolating transformers and connectors, please see the specific catalogue pages

**8" Shipping Weights and Volumes**

	Light Unit	Shallow Base	Light Unit & Adaptor Ring
Weight (kg)	3.0	3.2	6.15
Volume (m ³)	0.007	0.007	0.013

12" Shipping Weights and Volumes

	Light Unit	Shallow Base
Weight (kg)	5.0	7.3
Volume (m ³)	0.022	0.022

We reserve the right to change the design or specification data without notice

UC-PU-0261_EN-Rev.E