

LETG

ELEVATED LED RUNWAY GUARD LIGHT



COMPLIANCES

ICAO: Annex 14 - Volume I Fig. A2-25
EASA: CS-ADR-DSN Book 1 Fig. U-28
FAA: L-804(L) AC150/5345-46 and EB No.67
IEC: TS 61827
NATO: STANAG 3316
CAA: CAP 168
IAAE: TP312

APPLICATIONS

The elevated LED Runway Guard Light consists of two alternating yellow flashing lights that warn pilots of airplanes or drivers of other vehicles that they are about to enter a runway.

BENEFITS

- LED's long life provides drastic reductions in maintenance and significantly increases airport security
- The visibility of the warning message is considerably higher thanks to rapid turn-on and turn-off ensured by LEDs. The output effective candelas (which represents the real effect on the pilot's eyes) is 50% higher compared to the actual effectiveness of current RGLs equipped with incandescent lamps
- At the highest level of intensity, light emission from each beam instantaneously reaches levels above the minimum requirements in the ICAO Standards
- Colour emitted directly from LED: the absence of colored filters eliminates energy losses and colour shifts
- Complete compatibility with existing AFL series circuits, with no need to replace CCRs, transformers and cables
- The ability to install the lights on the existing base plates allows progressive replacement of the existing lights on the field
- In new installations the use of LED lights means lower loads, lower size of CCRs and transformers, resulting in a significant reduction in the overall cost of the entire system

PERFORMANCES

- Power supply via series circuit with variable current of between 2,8 A and 6,6 A; light emission varies depending on the current supplied to the fixture
- Power supply via parallel circuit with 120-240 V @ 50-60 Hz
- Flash rate: 45-50 alternating flashes per minute
- Vertical adjustment: from 0 to +20°, step of 1°, with blocking system
- Horizontal adjustment: $\pm 20^\circ$, step of 5°, with blocking system
- Ability to set in field the rising and falling edges of the flash to better adapt the light emission in effective candelas to the environmental and operating conditions: rectangular wave form of the flash (vertical ramps) or trapezoidal wave form of the flash (inclined ramp)
- To reduce issues caused by sunlight and optimize the contrast when the light is on versus off, the front panel lens case is painted matte black and, together with the lenses, is equipped with a visor
- Replacement of LEDs and electronics is possible, without use of special tools, by opening the hinged front panel
- No optical adjustment is required after the replacement of the LED module or lens
- Safety rod
- Power consumption: 32 VA
- Power factor: $\geq 0,96$
- Protection degree: IP67
- Operating temperature: -55°C a $+55^\circ\text{C}$

INSTALLATION

- The fixture must be installed on a reinforced base plate, diameter 12"

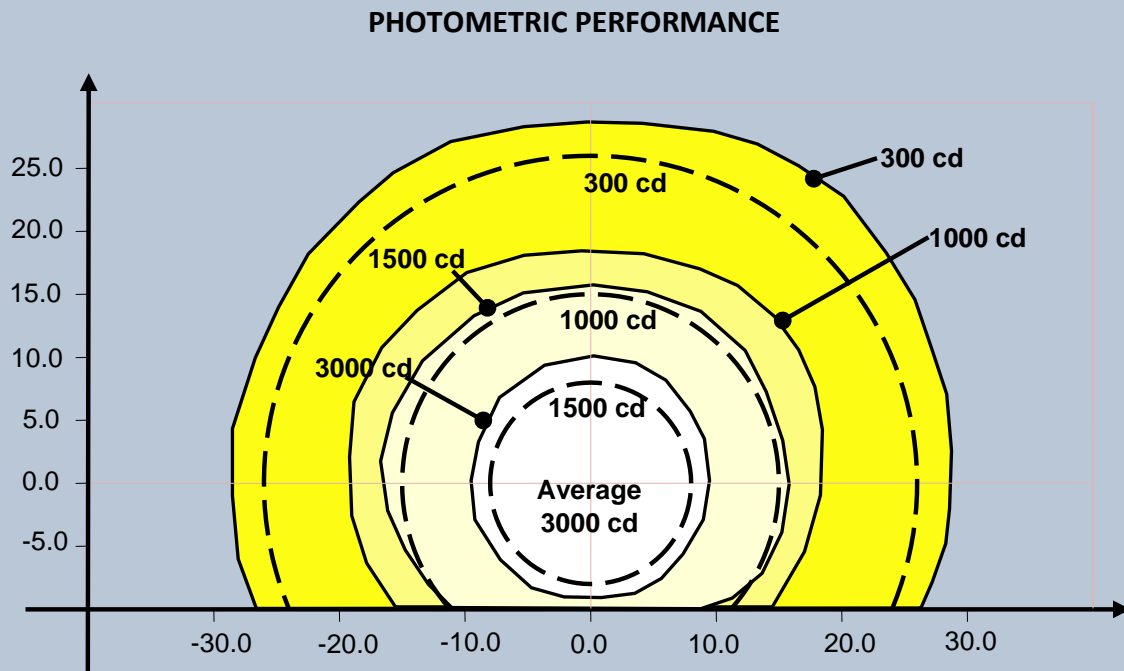
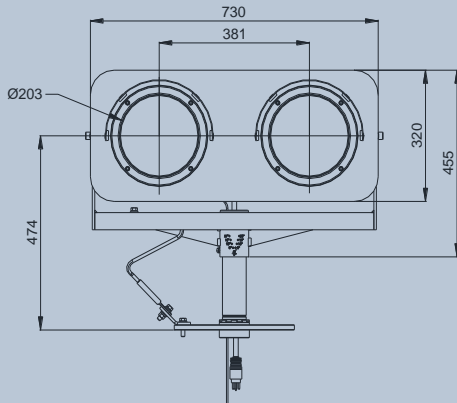
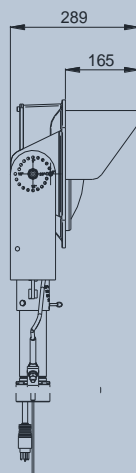


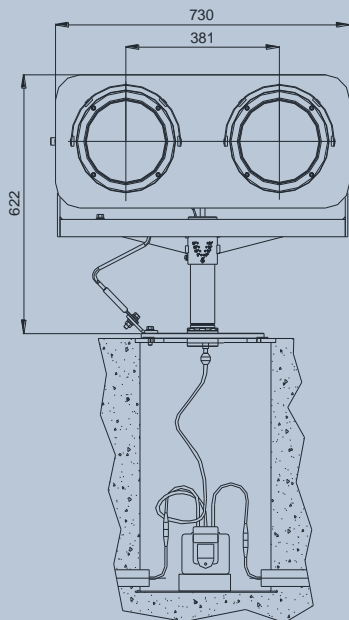
Fig. 1 ICAO A2-25 – Yellow



Front view



Side view



Deep base FAA L-867 diameter 12" base and base plate

LETG - IY - S - M - 0 - 0 - T**Type:** _____**Version:** _____

IY = Yellow ICAO

FY = Yellow FAA

TR = Traffic Red

Operating Mode: _____

S = Series Circuit

D = Parallel Circuit 120-240 Vac

Monitoring: _____

O = Without Monitoring

M = With Monitoring

Photocell (only for Operating Mode D): _____

O = Without Photocell

F = With Photocell

Switched-Mode Power Supply: _____

C = "ON/OFF" Series Switch (standard for the FY version)

O = No "ON/OFF" Switch

Options (list all selected options): _____

T = Safety Rod (standard for the FY version)

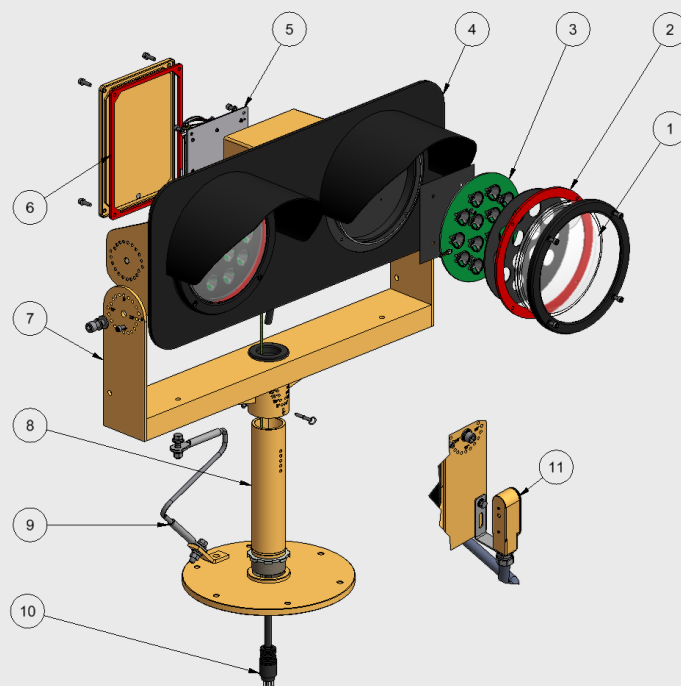
E = External Synchronization with double lead power supply

L = Low Installation Profile

MAIN COMPONENTS OF THE LIGHT UNIT

- 1 Lens
- 2 Lens gasket
- 3 LED module with accessories
- 4 Main body
- 5 Control card
- 6 Box gasket
- 7 Support and orientation structure
- 8 Breakable coupling
- 9 Safety rod
- 10 Cable lead with plug FAA L-823
- 11 Photocell (only for Operating mode D)

Please refer to the technical manual for the complete list of available spare parts.

**ACCESSORIES**

- | | |
|----------|---|
| 315.1228 | Base L-867, class IA, size B, 24" Deep (610 mm) |
| 315.1063 | Baseplate for L-867 base with gasket and cable clamp (2" - 11 1/2 NPS thread) |
| 011.3302 | FAA L-831 Series isolation transformer 30-45 W 6.6/6.6 A 50Hz Grounding terminal connected to the secondary winding |
| 001.3313 | FAA L-831 Series isolation transformer 30-45 W 6.6/6.6 A 50Hz |
| 001.3333 | FAA L-831 Series isolation transformer 30-45 W 6.6/6.6 A 60Hz |
| 156.8005 | Cable assembly with plug for monitoring |
| 202.0067 | MCC1 Lamp control and monitoring unit |

For information about isolating transformers and connectors, please consult the catalogue.

Shipping Weight and Volume

	Light Unit	Light with Breakable Coupling
Weight (kg)	17,7	19,6
Volume (m³)	0,098	0,144

The company reserves the right to modify the technical specifications without warning.

UC-PU-0323_EN-Rev.B