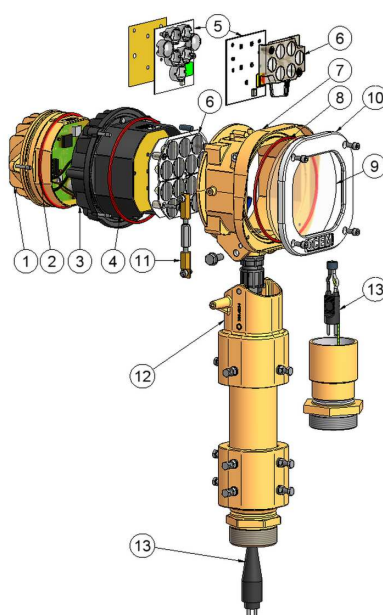


LERA - RENEWAL SPARE PARTS

1/2



Nr.	DESCRIPTION	CODE	Nr.	DESCRIPTION	CODE
1	Cover with electronic for approach light, 600 mA, with monitoring	155.0200	6	Lens array for 7 LED module	317.0201
1	Cover with electronic for threshold and threshold wing bar light, 400 mA, with monitoring	155.0202	6	Lens array set for 14 LED module	317.4336
1	Cover with electronic for runway end and stopbar light, 400 mA, with monitoring	155.0203	7	Body	303.4230
1	Cover with electronic for approach light, 600 mA, without monitoring	155.0204	8	Module LED or transparent front protection gasket	758.2156
1	Cover with electronic for threshold and threshold wing bar light, 400 mA, without monitoring	155.0205	9	Transparent front protection	319.6006
1	Cover with electronic for runway end and stopbar light, 400 mA, without monitoring	155.0206	10	Transparent front protection holder plate, white painted	303.4233
2	Cover gasket	758.2155	10	Transparent front protection holder plate, red painted	303.4235
3	LED module support	303.4231	10	Transparent front protection holder plate, green painted	303.4236
4	Module LED or transparent front protection gasket	758.2156	11	Vertical aiming adjusting device	155.7201
5	14 white LED module, for approach	150.4223	12	Special support	303.4234
5	14 red LED module, for approach	150.4224	13	FAA L-823 plug (ICAO, FAA H=14)	011.3000
5	14 green LED module, for threshold and threshold wing bar	150.4225	13	FAA L-823 plug (L = 2500 mm)	323,2366
5	7 red LED module, for runway end	150.4062	14	Breakable coupling for FAU-P-001/LERA-P-001	303.6060
5	7 red LED with lens module, for FAA stopbar	150.4235	--	Assembly including cover with electronic and LED module support with white LED for approach, with monitoring	155.0207
5	7 red LED with lens module, for ICAO stopbar	150.4216	--	Assembly including cover with electronic and LED module support with red LED for approach, with monitoring	155.0208

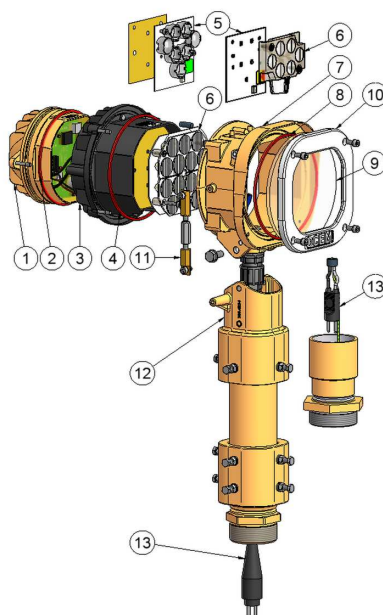
Energy Technology srl
 Operating office:
 Via della Solidarietà 2/1
 40056 Valsamoggia Loc. Crespellano – (BO) – Italy
 Ph: +39 051 66 56 611 – Fax: +39 051 66 56 677
OCEM, a division of Energy Technology srl



UC-PU-0315_EN

2/2

LERA - RENEWAL SPARE PARTS



Nr.	DESCRIPTION	CODE	Nr.	DESCRIPTION	CODE
--	Assembly including cover with electronic and LED module support with green LED for threshold and threshold wing bar, with monitoring	155.0209	--	Supporting pole (H = 1500 mm)	315.3713
--	Assembly including cover with electronic and LED module support with red LED for runway end, with monitoring	155.0210	--	Supporting pole (H = 2000 mm)	315.3714
--	Assembly including cover with electronic and LED module support with red LED for FAA stopbar, with monitoring	155.0211			
--	Assembly including cover with electronic and LED module support with red LED for ICAO stopbar, with monitoring	155.0212			
--	Assembly including cover with electronic and LED module support with white LED for approach, without monitoring	155.0213			
--	Assembly including cover with electronic and LED module support with red LED for approach, without monitoring	155.0214			
--	Assembly including cover with electronic and LED module support with green LED for threshold and threshold wing bar, without monitoring	155.0215			
--	Assembly including cover with electronic and LED module support with red LED for runway end, without monitoring	155.0216			
--	Assembly including cover with electronic and LED module support with red LED for FAA stopbar, without monitoring	155.0217			
--	Assembly including cover with electronic and LED module support with red LED for ICAO stopbar, without monitoring	155.0218			
--	Complete bulkhead connector	709.1320			
--	Breakable coupling for supporting pole	155.7200			
--	Supporting pole (H = 150 mm)	315.3710			
--	Supporting pole (H = 500 mm)	315.3711			
--	Supporting pole (H = 1000 mm)	315.3712			

UC-PU-0315_EN

Energy Technology srl
 Operating office:
 Via della Solidarietà 2/1
 40056 Valsamoggia Loc. Crespellano – (BO) – Italy
 Ph: +39 051 66 56 611 – Fax: +39 051 66 56 677
OCEM, a division of Energy Technology srl

